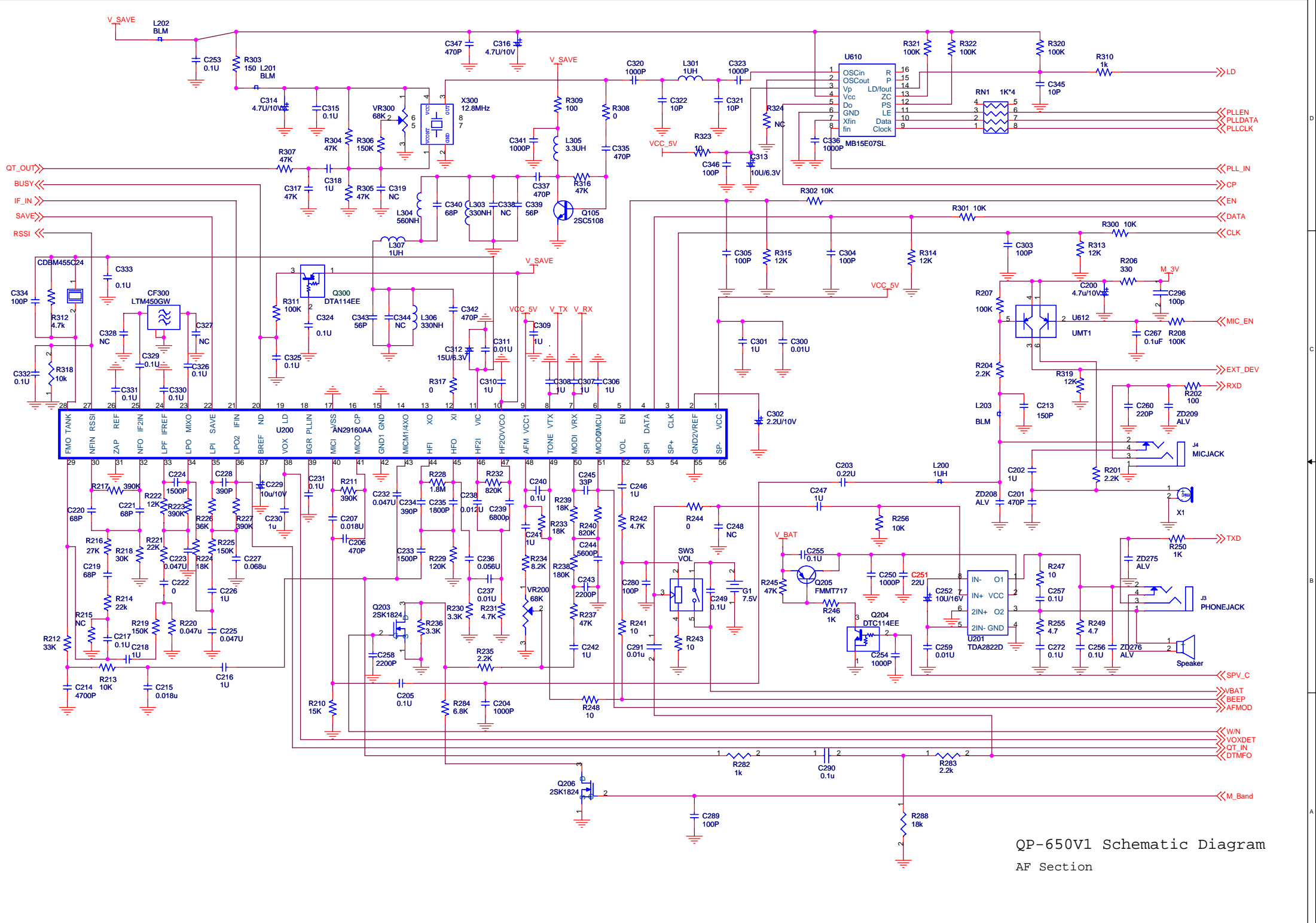
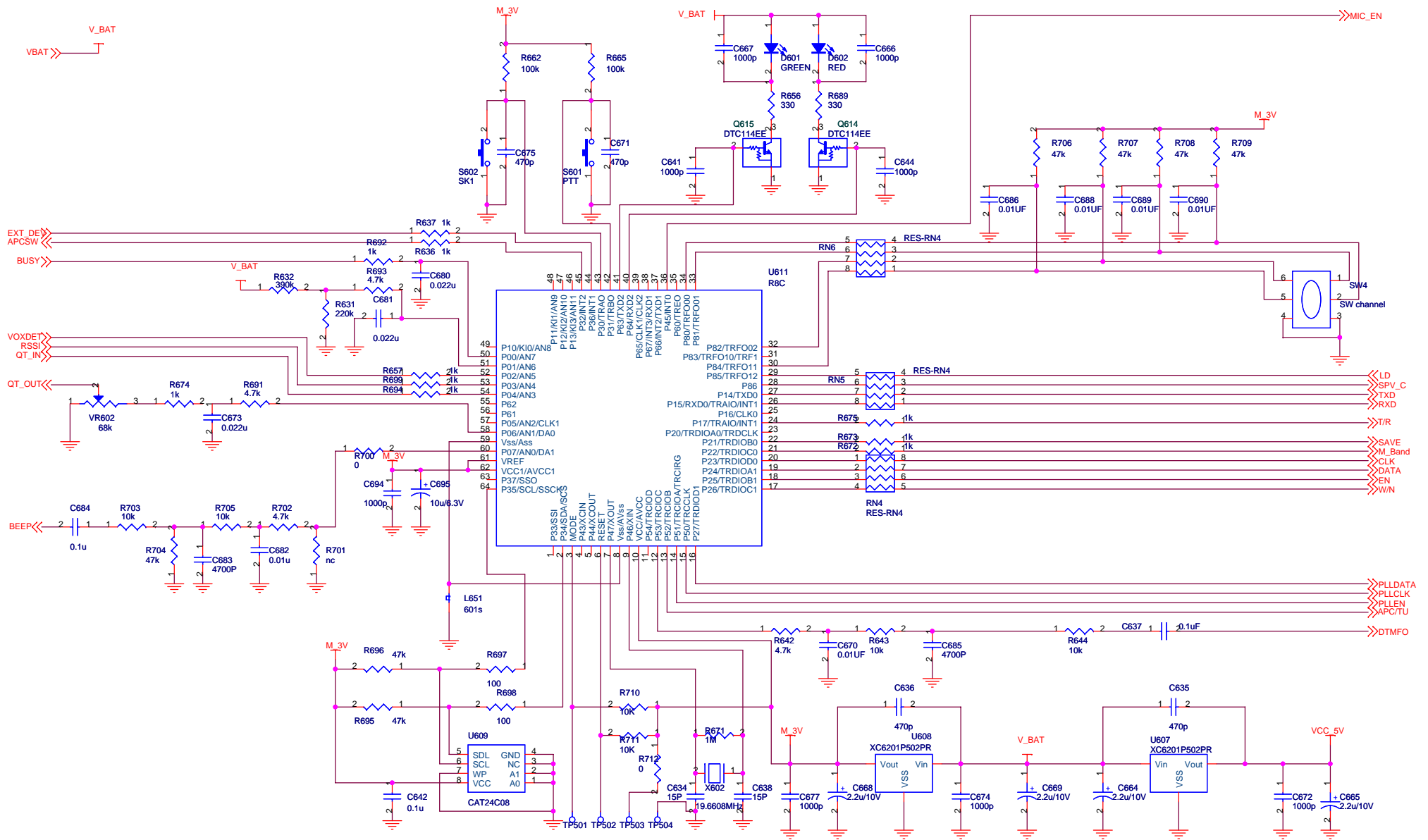


QP-650V1 Schematic Diagram  
RF Section



QP-650V1 Schematic Diagram  
AF Section



QP-650V1 Schematic Diagram

MCU Section